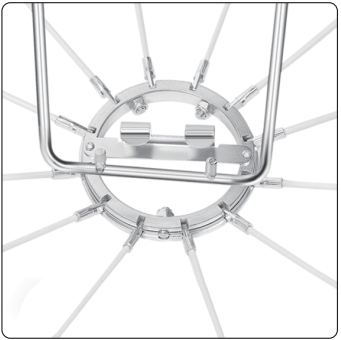
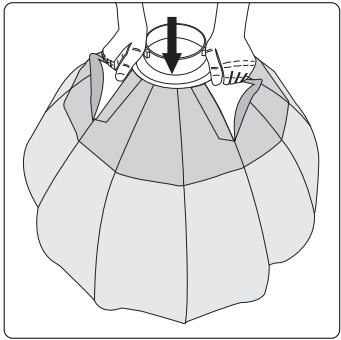
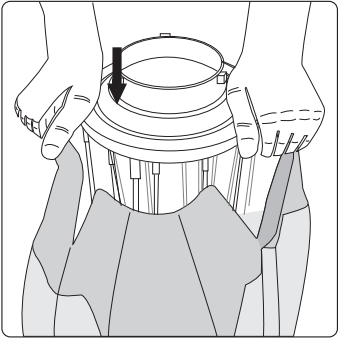
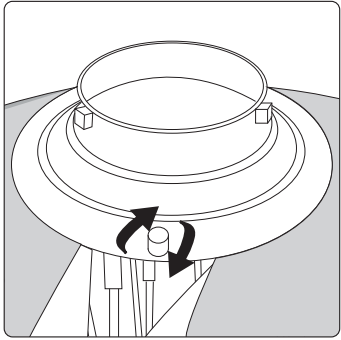


# Aputure Lantern User Manual

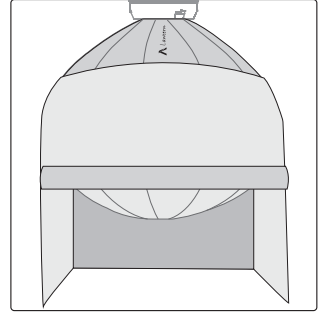
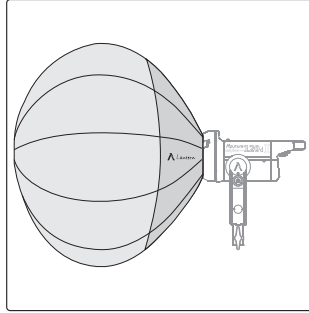
Thanks for purchasing Aputure product.

Aputure Lantern is a totally revolutionary lighting accessory. With aputure unique optical design, it improves the output of a COB light twice much as the original.

## Insteall/unlock



## Attach to light fixture



## Main Features

- 1. Universal Bowens mount.
- 2. Flexible fabric 4-leaf barn doors.
- 3. 1 stop fabric diffusion.
- 4. Omnidirectional Soft Light output.

## Package includes

- 1. Lantern spring Cage x1
- 2. Diffusion x1
- 3. Fabrick barn doors x1
- 4. Carriage Bag x1

## Specification

|               |                             |
|---------------|-----------------------------|
| Box Dimension | 185x185x835mm/7.3x7.3x32.9" |
| Weight        | 1.3kg/2.8lbs                |

Detailed product manual for Lantern can be found on [www.aputure.com](http://www.aputure.com)

# Aputure® GUARANTEE CARD

|                 |  |
|-----------------|--|
| Serial No.      |  |
| Item Name       |  |
| Purchase Date   |  |
| Buyer Name      |  |
| Buyer Phone     |  |
| Buyer Add       |  |
| Franchiser Seal |  |

## Service Warranty (EN)

Aputure photo tech ltd warrants the original consumer purchaser from defects in material and workmanship for a period of one (1) year after the date of purchase. For more details of warranty visit [www.aputure.com](http://www.aputure.com)

**Important:** Keep your original sales receipt. Be sure the dealer has written on it the date, serial No. of the product. This information is required for warranty service.

### This warranty does not cover:

- Damage that is the result of misuse, abuse, accident (including but not limited to damage by water), faulty connection, defective or maladjusted associated equipment, or the use of the product with equipment for which it was not intended.
- Cosmetic defects that appear more than thirty (30) days after the date of purchase. Cosmetic damage caused by improper handling is also excluded.
- Damage that occurs while the product is being shipped to whoever will service it.

### This warranty is void if:

- The product identification or serial No. label is removed or defaced in any way.
- The product is serviced or repaired by any one other than Aputure or an authorized Aputure dealer or service agency.

Aputure Imaging Industries Co. Ltd.  
 Add: F/3, Building 21, Longjun industrial estate,  
 HePing West Road, Shenzhen, Guangdong  
 E-MAIL: [cs@aputure.com](mailto:cs@aputure.com)  
 Sales Contact: (86)0755-83285689-613